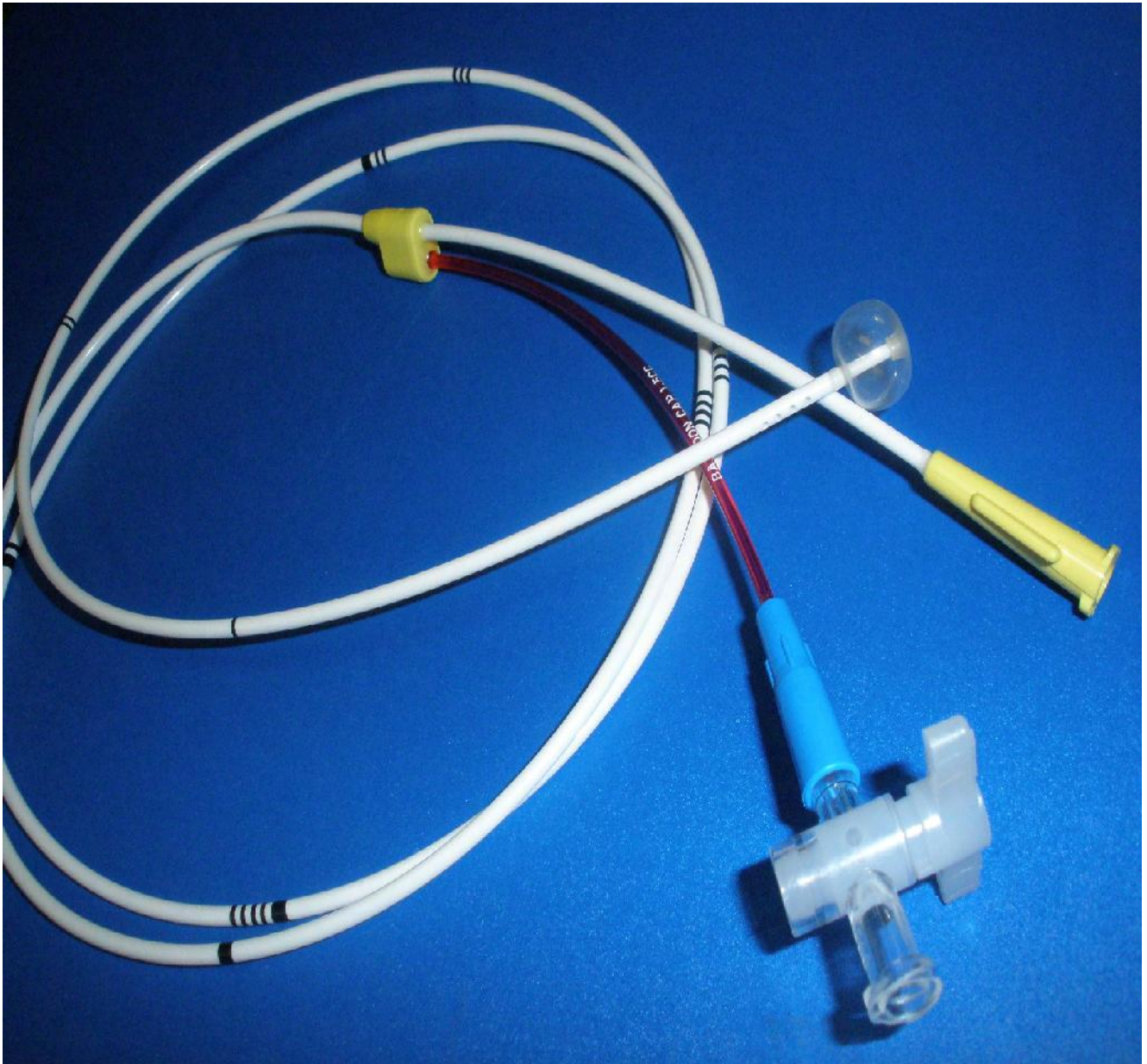




Alpha Medical Instruments LLC

ANGIOGRAPHIC BALLOON CATHETER

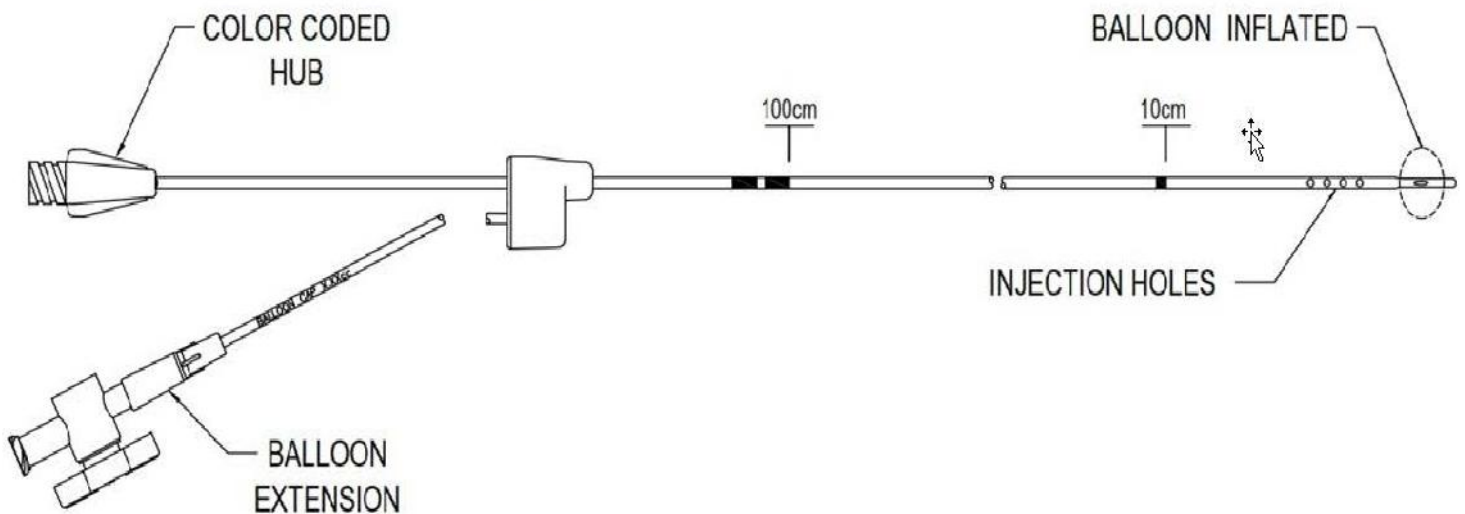


Angiographic Balloon Catheter

Series 200

Product Code	Catheter Size:	Introducer Size Recom'd	Catheter Body Material	Catheter Body Lumen	Useable Length	Injection Holes	Maximum Injection Pressure	Maximum Balloon Inflation
242 - 50P	4 Fr.	4 Fr.	PUR	2 L	50 CM	6	350 PSI	0.5 cc*
242 - 80P	4 Fr.	4 Fr.	PUR	2 L	80 CM	6	350 PSI	0.5 cc*
242 - 110P	4 Fr.	4 Fr.	PUR	2 L	110 CM	6	350 PSI	0.5 cc*
252 - 60P	5 Fr.	5 Fr.	PUR	2 L	60 CM	6	500 PSI	0.75 cc
252 - 80P	5 Fr.	5 Fr.	PUR	2 L	80 CM	6	500 PSI	0.75 cc
252 - 110P	5 Fr.	5 Fr.	PUR	2 L	110 CM	6	500 PSI	0.75 cc
262 - 90P	6 Fr.	6 Fr.	PUR	2 L	90 CM	6	500 PSI	1.25 cc
262 - 110P	6 Fr.	6 Fr.	PUR	2 L	110 CM	6	500 PSI	1.25 cc
272 - 90P	7 Fr.	7 Fr.	PUR	2 L	90 CM	8	550 PSI	1.50 cc
272 - 110P	7 Fr.	7 Fr.	PUR	2 L	110 CM	8	550 PSI	1.50 cc

*Do not exceed maximum balloon inflation volume by dispensing air beyond 0.5cc syringe marking as balloon



Description:

The Angiographic Balloon Catheter is made of extruded radiopaque polymeric tubing with two lumens in the body of the catheter. The inflation lumen at its distal end opens into a latex balloon which is attached to the tapered tip. The injection lumen terminates distally in multiple holes, situated in two rows on opposing sides of the catheter just proximal to the latex balloon.

Packaging:

Each catheter is packaged in a sterile peel-pack tray

Catheters Length Marking:

Each catheter has clear, easy to identify increment markings every 10 cm along catheter body.